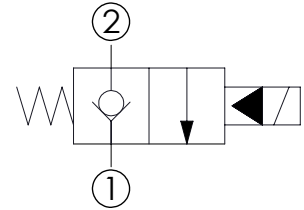
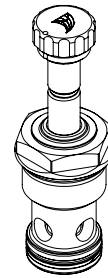
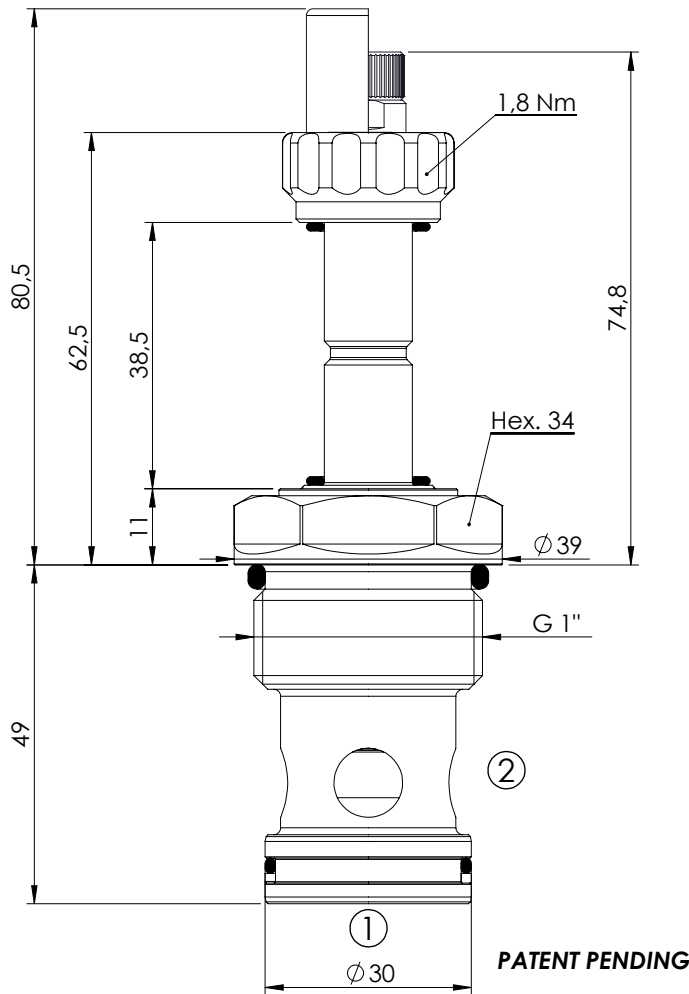


SOLENOID OPERATED CARTRIDGE

CEBN-200-NCFN

**PILOT OPERATED
POPPET TYPE**

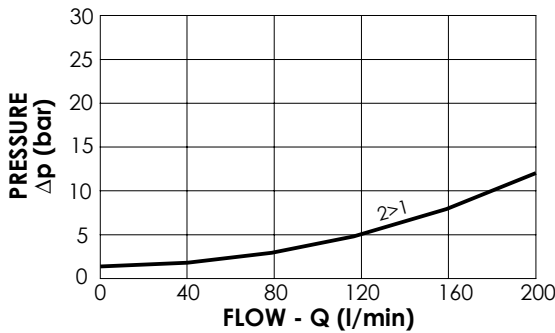


SPECIFICATIONS

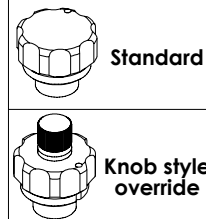
| | |
|--------------------------|----------------|
| Max. operating pressure: | 350/500 bar |
| Rated flow: | 200 l/min |
| Cavity: | VP000013 |
| Weight: | 0,35 kg |
| Min. voltage required: | 90% of nominal |
| Coil type: | M7 type |
| Seal kit: | RC900013 |

NOTES

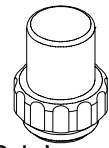
Installation torque: 135 - 150 Nm



OPTIONS



SEALING CAP



Ordering code:
AT000113

ORDERING CODES

| Quick code | Description | Options | Max operating pressure (bar) |
|------------|---------------------------|---------------------|------------------------------|
| CE000350 | CEBN-200-NCFN-01-013-N350 | Standard | 350 |
| CE000352 | CEBN-200-NCFK-01-013-N350 | Knob style override | 350 |
| CE000650 | CEBN-200-NCFN-01-013-N500 | Standard | 500 |
| CE000652 | CEBN-200-NCFK-01-013-N500 | Knob style override | 500 |
| | | | |
| | | | |