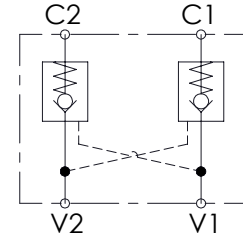
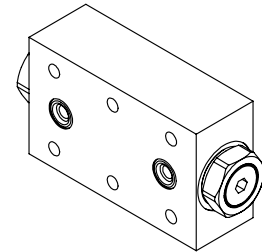
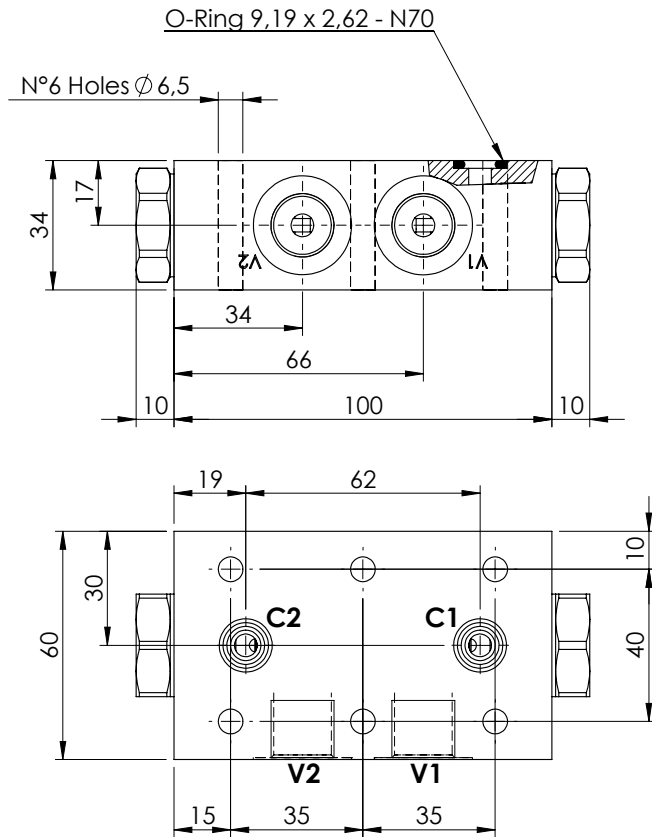


PILOT OPERATED CHECK VALVE

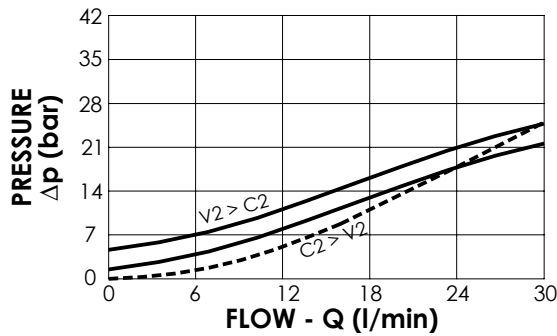
**MCDN-030-SBNS**

DOUBLE ACTING  
TWO FLANGED PORTS



**SPECIFICATIONS**

|                          |          |
|--------------------------|----------|
| Max. operating pressure: | 350 bar  |
| Rated flow:              | 30 l/min |
| Manifold:                | Steel    |
| Weight:                  | 1,49 kg  |



**ORDERING CODES**

| Quick code | Description               | Main ports size           | Pilot ratio | Cracking pressure (bar) | O-Ring on pilot piston |
|------------|---------------------------|---------------------------|-------------|-------------------------|------------------------|
| MC000036   | MCDN-030-SBNS-07-G38-N005 | V1,V2:G 3/8"<br>C1,C2:Ø 6 | 7:1         | 5                       | NO                     |
| MC000037   | MCDN-030-SBNC-07-G38-N005 | V1,V2:G 3/8"<br>C1,C2:Ø 6 | 7:1         | 5                       | YES                    |
| MC000038   | MCDN-030-SBNS-07-G38-N001 | V1,V2:G 3/8"<br>C1,C2:Ø 6 | 7:1         | 1                       | NO                     |
|            |                           |                           |             |                         |                        |
|            |                           |                           |             |                         |                        |
|            |                           |                           |             |                         |                        |

|    |  |
|----|--|
| 1  | Relief                                 |
| 2  | Pressure reducing                      |
| 3  | Sequence                               |
| 4  | Check                                  |
| 5  | Pilot operated check                   |
| 6  | Overcentre                             |
| 7  | Regenerative                           |
| 8  | Hydr. motors, actuators & winch valves |
| 9  | Motion control                         |
| 10 | Check and metering                     |
| 11 | Shuttle and logic elements             |
| 12 | Flow dividers & combiners              |